



INSTALLATION MANUAL FOR SLIM PROFILE DOWNLIGHT - 5CCT SERIES

SAVE THESE INSTRUCTIONS - READ ALL INSTRUCTIONS CAREFULLY

WARNING



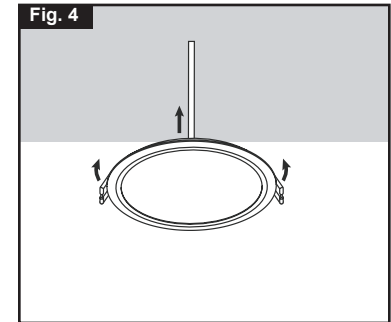
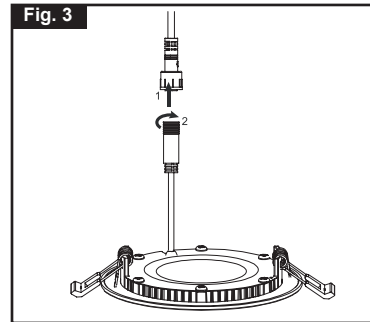
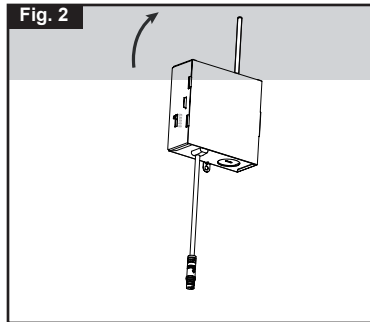
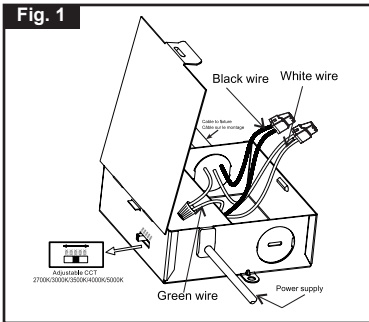
CAN ICES-005 (B) NMB-005 (B)

PLEASE READ ALL INSTRUCTIONS BEFORE ATTEMPTING INSTALLATION.

- To prevent personal injury or product damage only licensed electricians/personnel should install fixture.
- To avoid electric shock or component damage disconnect power before attempting installation or servicing.
- This product must be installed in accordance with the National Electric Code (NEC)/Canadian Electrical Code (CEC) and all applicable Federal, State/Provincial and Local Electric Codes and Safety Standards.
- Disconnect fixture and allow cooling prior to servicing.
- Any alteration or modification of this product is expressly forbidden as it may cause serious personal injury, death, property damage and/or product malfunction.
- To prevent product malfunction and/or electrical shock this product must be properly grounded.
- All parts must be used as indicated in the instructions. Do not substitute any parts, leave parts out, or use any parts that are worn, damaged or broken.
- CAN ICES-005 (B) NMB-005 (B).

RECOMMENDED DIMMER COMPATIBILITY LIST

BRAND	SERIES	MODEL	LOAD	DIMM
LUTRON	ARIADNI	AVCL-153P	150W	10%-100%
	DIVA	DV-600PR	600W	1%-100%
	DIVA	DVCL-153P	150W	10%-100%
	MAESTRO	MACL-153MH	600W	10%-100%
	MAESTRO WIRELESS	MRF2-6CL	150W	10%-100%
	ROTARY	D-600P	600W	10%-100%
	ELECTRONIC (ELV)	NTELV-300P	600W	10%-100%
	SKYLARK	S-600P	600W	10%-100%
	SKYLARK CONTOUR	CT-600P	600W	1%-100%
	SKYLARK CONTOUR	CTCL-153P	150W	10%-100%
	TOGGLER	TG-600P	600W	10%-100%
	TOGGLER	TCCl-153P	150W	10%-100%
LEVITON	SURESLIDE	6633	600W	10%-100%
	SURESLIDE DECORA	6674	600W	20%-100%
	TRIMATRON	6602	600W	20%-100%
	ILLUMATECH	IP106	600W	1%-100%
LEGRAND	ADORNE	ADTP703TU	700W	20%-100%
	HARMONY	H703PTW	700W	10%-100%
COOPER	ASPIRE	9540	1000W	10%-100%
	DEVINE	DAL06P	300W	10%-100%



DRIVER WIRING

1. Open the hardwire box swing cover and remove the appropriate knockout(s).
2. Insert the electrical supply cable through the knockout and secure with a cable connector (sold separately).
3. Please slide dip switch to the right colour temperature - Default setting 3000K. (Fig. 1)
4. Using wire nuts, connect green ground wire of cable to green wire on box. (Fig. 1)
5. Place all wiring and connections back into the box and close the cover.
6. Insert hardwire box through the mounting hole. (Fig. 2)

HOLE CUT SIZE

- 4" - 4.25" (108MM)
- 6" - 6.25" (158MM)

TOOLS REQUIRED

1. SAW
 2. MEASURING TAPE
 3. ELECTRICAL WIRING
- (USE TYPE AND GAUGE SUITABLE FOR APPLICATION TO CONNECT TO FIXTURE)

NEW CONSTRUCTION APPLICATIONS

Hardwire box shall be firmly secured to studs, joists, or similar fixed structural units.

REMODEL APPLICATIONS

Do not require the hardwire box to be firmly secured after the mounting plates, studs, joists or structural unit have been concealed.

PRE-INSTALLATION

1. Turn power OFF from the electrical panel before starting installation.
2. Locate a suitable position to place the fixture and open in accordance to the cut-hole dimensions (refer to Cut Hole Table for appropriate size).
3. Run electrical wire from the switch (power supply) through the mounting hole - use NMD90 Romex or BX cable.

FIXTURE INSTALLATION

1. Connect the fixture to the hardwire box by inserting and twisting the male / female connectors (Fig. 3).
2. Push spring loaded clips on the fixture upwards and insert fixture base into the mounting hole. Release the clips and fixture will be pulled flush to the ceiling (Fig. 4).
3. Once assembly is complete, turn on power to confirm fixture is working properly.